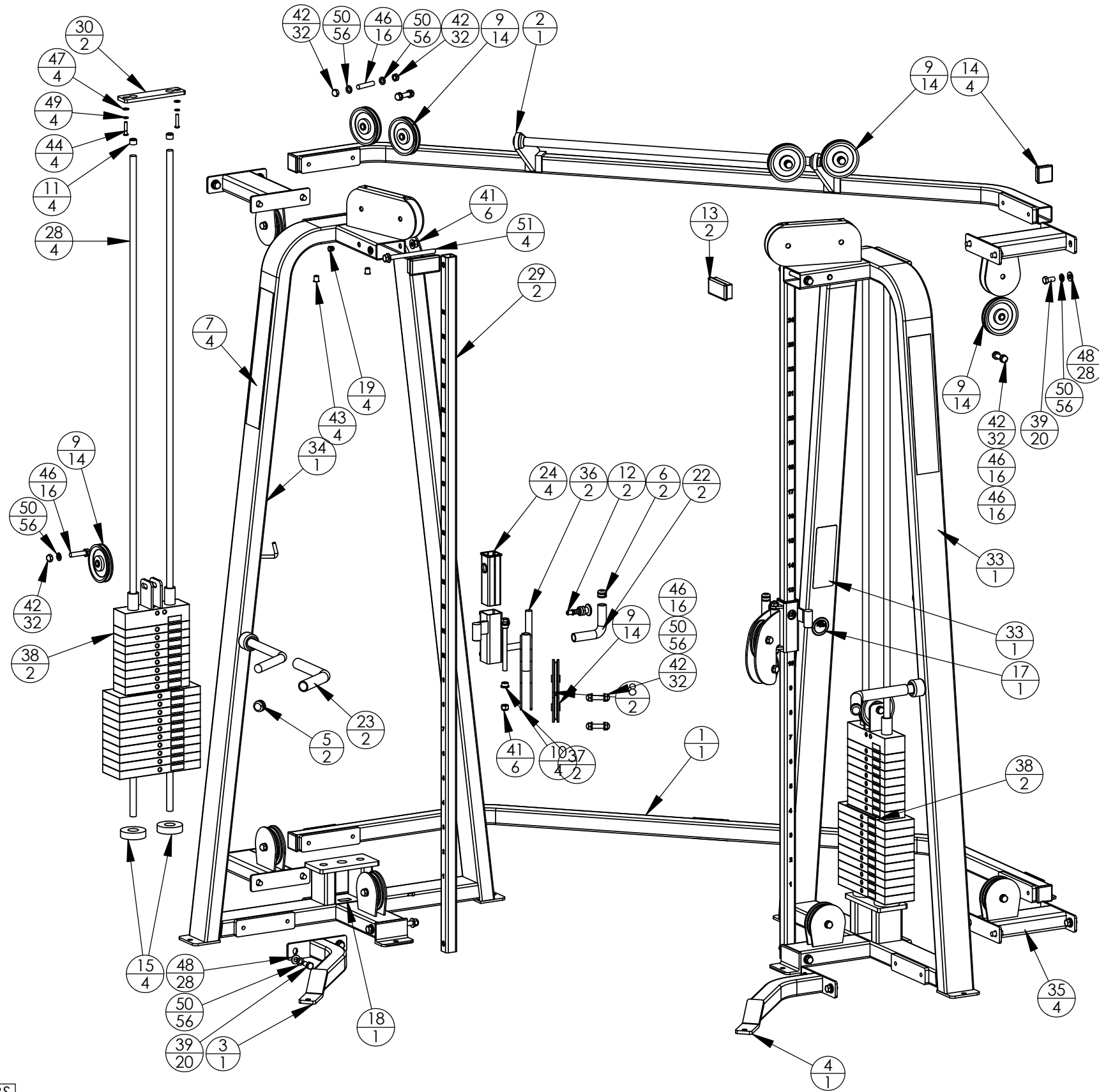


REVISIONS				
REV	ECN #	DESCRIPTION	REV. BY/DATE	APR. BY
A	-----	INITIAL RELEASE	02/2001	



ITEM NO.	QTY.	PART NO.	DESCRIPTION
1	1	FTS-SA-1	FTS LOWER SUPPORT ASSY.
2	1	FTS-SA-2	FTS UPPER SUPPORT ASSY.
3	1	FTS-SA-3	FTS LOWER RIGHT FOOT SUPPORT ASSY.
4	1	FTS-SA-4	FTS LOWER LEFT FOOT SUPPORT ASSY.
5	2	AC218	HANDLE END CAP W/SET SCREWS, DIA 1"
6	2	AC220	HANDLE END CAP W/SET SCREWS, DIA 3/4"
7	4	AC1002	LABEL, "ICARIAN", 3 1/2 x 21 1/2
8	2	AC1008	PULLEY, 3 1/2" DIA x 1/2" ID
9	14	AC1009	PULLEY, 4 1/2" DIA x 1/2" ID
10	4	AC1019	BUSHING, BRONZE, 1/2" ID x 3/4" OD
11	4	AC1040	CAP, GUIDE ROD, DIA. 3/4
12	2	AC1051-MS	SNAP PIN, SMALL M-PULL
13	2	AC1057	CAP, BLACK PLASTIC, 2 x 4
14	4	AC1058	CAP, BLACK PLASTIC, 2 x 2
15	4	AC1148	WEIGHT STACK BUMPER
16	2	AC1149	RUBBER BUMPER, 1 1/4 SQ.
17	1	AC1161	LABEL, ROUND, "MADE IN USA"
18	1	AC1164	LABEL, F.P.I. SERIAL NUMBER
19	4	AC1174	RIBBED 7/16" / 9/16" PLASTIC HOLE PLUG
20	1	AC1183	LABEL, "WARNING, SERIOUS INJURY..."
21	2	AC1185	LABEL, "KEEP HANDS AND FEET CLEAR..."
22	2	AC1225-6	RUBBERGRIP, DIA 3/4 x (6)
23	2	AC1226-12	RUBBERGRIP, DIA 1 x (12)
24	4	AC1236-H	PLASTIC GLIDE WITH HOLE
25	2	AC1238	FTS HANDLE ASSY.
26	2	AC1239	CARBINE HOOK, MEDIUM
27	2	AC4009	VELCRO ANKLE STRAP
28	4	CH1218	STEEL BAR RND, DIA. 3/4" x (80 3/4), #8
29	2	CH4020	STEEL TUBE HRPO, 1 1/2 x 1 1/2 x 3/16 x (85), 28 HOLES
30	2	PF1015	STEEL BAR FLAT CR/HR, 3/8 x 2 x (8 1/4), 2 HOLES 2 SLOTS
31	2	RI-FTS-407B-321-500	CABLE ASSY, EI-FTS-407B-321-500
32	1	SA1080	SWIVEL END BARBELL ASSY
33	1	SA1088-R	ADJUSTABLE "A" FRAME ASSY, RIGHT
34	1	SA1088-L	ADJUSTABLE "A" FRAME ASSY, LEFT
35	4	SA1509	ADJ. HI-LOW BRKT. ASSY
36	2	SA2078-R	ADJ. HI-LOW PULLEY SLIDE ASSY, RIGHT
37	2	SA2079	ADJ. HI-LOW DOUBLE PULLEY BRKT. ASSY
38	2	WS1500-1706-B	WEIGHT STACK, 20 plate, 150 lb, Straight Brkt
39	20	FA1011	BOLT, HEX HEAD, BLK, 1/2-13 x 1
40	2	FA1022	BOLT, HEX HEAD, ZINC, 1/2-13 x 6
41	6	FA1030	NUT, HEX, NYLOCK, 1/2-13
42	32	FA1035	NUT, HEX, ACORN, 1/2-13
43	4	FA1055	NUT, INSERT, 5/16-18
44	4	FA1072	BOLT, BUTTON HEAD, 5/16-18 x 1 1/2
45	2	FA1076	BOLT, SOCKET HEAD, 1/4-20 x 1/2
46	16	FA1101	STUD, 1/2-13 x 2 1/2
47	4	FA1106	WASHER, FLAT, 5/16 ID x 11/16 OD
48	28	FA1109	WASHER, FLAT, 1/2 ID x 1 1/16 OD
49	4	FA1116	WASHER, SPLIT, 5/16 ID
50	56	FA1119	WASHER, SPLIT, 1/2 ID
51	4	FA1152	BOLT, HEX HEAD, ZINC, 1/2-13 x 6 1/2

WEIGHT: 840 LBS.

UNLESS OTHERWISE SPECIFIED
DIMENSIONS ARE IN INCHES

TOLERANCES ARE:

FRACTIONS	DECIMALS	ANGLES
± 1/32	.XX ± .01 .XXX ± .005	± 1°

THIRD ANGLE PROJECTION

DO NOT SCALE DRAWING

ICARIAN FITNESS PRODUCTS INTERNATIONAL
ICARIAN FLITE ABENCH JADE STRETCH CENTER
12660 BRANFORD ST. SUN VALLEY, CA. 91352

APPROVALS	DATE	TITLE	SCALE
DESIGNED BY RSG	12/2000	FTS-FUNCTIONAL TRAINER	1:14
MODELED BY RSG	12/2000		SHEET 1 OF 1
DRAWN BY PA	02/2001	SIZE B	REV A
APPROVED BY		DWG NO. FTS-EXP	

FTS Functional Trainer

Part Number	Description	Bubble Number
CWFTSSA1-211	ASSY, LOWER SUPPORT, FTS, SKY WHITE	1.01
CWFTSSA1-221	ASSY, LOWER SUPPORT, FTS, BLACK	1.02
CWFTSSA1-231	ASSY, LOWER SUPPORT, FTS, RED	1.03
CWFTSSA1-241	ASSY, LOWER SUPPORT, FTS, PLATINUM	1.04
CWFTSSA1-251	ASSY, LOWER SUPPORT, FTS, SILVER	1.05
CWFTSSA1-261	ASSY, LOWER SUPPORT, FTS, BLUE	1.06
CWFTSSA1-271	ASSY, LOWER SUPPORT, FTS, CHARCOAL	1.07
CWFTSSA1-281	ASSY, LOWER SUPPORT, FTS, CATHEDRAL	1.08
CWFTSSA1-291	ASSY, LOWER SUPPORT, FTS, SILVER VI	1.09
CWFTSSA1-311	ASSY, LOWER SUPPORT, FTS, STONE HG	1.11
CWFTSSA1-321	ASSY, LOWER SUPPORT, FTS, TITANIUM	1.12
CWFTSSA1-331	ASSY, LOWER SUPPORT, FTS, WHITE GLO	1.13
CWFTSSA1-341	ASSY, LOWER SUPPORT, FTS, BLACK ONY	1.14
CWFTSSA1-351	ASSY, LOWER SUPPORT, FTS, LIGHT BRO	1.15
CWFTSSA1-361	ASSY, LOWER SUPPORT, FTS, SAPPHIRE	1.16
CWFTSSA2-211	ASSY, FTS UPPER SUPPORT, SKY WHITE	2.01
CWFTSSA2-221	ASSY, FTS UPPER SUPPORT, BLACK	2.02
CWFTSSA2-231	ASSY, FTS UPPER SUPPORT, RED	2.03
CWFTSSA2-241	ASSY, FTS UPPER SUPPORT, PLATINUM S	2.04
CWFTSSA2-251	ASSY, FTS UPPER SUPPORT, SILVER	2.05
CWFTSSA2-261	ASSY, FTS UPPER SUPPORT, BLUE	2.06
CWFTSSA2-271	ASSY, FTS UPPER SUPPORT, CHARCOAL	2.07
CWFTSSA2-281	ASSY, FTS UPPER SUPPORT, CATHEDRAL	2.08
CWFTSSA2-291	ASSY, FTS UPPER SUPPORT, SILVER VIE	2.09
CWFTSSA2-311	ASSY, FTS UPPER SUPPORT, STONE HG	2.11
CWFTSSA2-321	ASSY, FTS UPPER SUPPORT, TITANIUM H	2.12
CWFTSSA2-331	ASSY, FTS UPPER SUPPORT, WHITE GLOS	2.13
CWFTSSA2-341	ASSY, FTS UPPER SUPPORT, BLACK ONYX	2.14
CWFTSSA2-351	ASSY, FTS UPPER SUPPORT, LIGHT BRON	2.15
CWFTSSA2-361	ASSY, FTS UPPER SUPPORT, SAPPHIRE B	2.16
CWFTSSA3-211	ASSY, FTS LOWER RIGHT FOOT SUPPORT,	3.01
CWFTSSA3-221	ASSY, FTS LOWER RIGHT FOOT SUPPORT,	3.02
CWFTSSA3-231	ASSY, FTS LOWER RIGHT FOOT SUPPORT,	3.03
CWFTSSA3-241	ASSY, FTS LOWER RIGHT FOOT SUPPORT,	3.04
CWFTSSA3-251	ASSY, FTS LOWER RIGHT FOOT SUPPORT,	3.05
CWFTSSA3-261	ASSY, FTS LOWER RIGHT FOOT SUPPORT,	3.06
CWFTSSA3-271	ASSY, FTS LOWER RIGHT FOOT SUPPORT,	3.07
CWFTSSA3-281	ASSY, FTS LOWER RIGHT FOOT SUPPORT,	3.08
CWFTSSA3-291	ASSY, FTS LOWER RIGHT FOOT SUPPORT,	3.09
CWFTSSA3-311	ASSY, FTS LOWER RIGHT FOOT SUPPORT	3.11
CWFTSSA3-321	ASSY, FTS LOWER RIGHT FOOT SUPPORT,	3.12
CWFTSSA3-331	ASSY, FTS LOWER RIGHT FOOT SUPPORT,	3.13
CWFTSSA3-341	ASSY, FTS LOWER RIGHT FOOT SUPPORT,	3.14
CWFTSSA3-351	ASSY, FTS LOWER RIGHT FOOT SUPPORT,	3.15
CWFTSSA3-361	ASSY, FTS LOWER RIGHT FOOT SUPPORT,	3.16
CWFTSSA4-211	ASSY, FTS LOWER LEFT FOOT SUPPORT,	4.01
CWFTSSA4-221	ASSY, FTS LOWER LEFT FOOT SUPPORT,	4.02
CWFTSSA4-231	ASSY, FTS LOWER LEFT FOOT SUPPORT,	4.03
CWFTSSA4-241	ASSY, FTS LOWER LEFT FOOT SUPPORT,	4.04

CWFTSSA4-251	ASSY, FTS LOWER LEFT FOOT SUPPORT,	4.05
CWFTSSA4-261	ASSY, FTS LOWER LEFT FOOT SUPPORT,	4.06
CWFTSSA4-271	ASSY, FTS LOWER LEFT FOOT SUPPORT,	4.07
CWFTSSA4-281	ASSY, FTS LOWER LEFT FOOT SUPPORT,	4.08
CWFTSSA4-291	ASSY, FTS LOWER LEFT FOOT SUPPORT,	4.09
CWFTSSA4-311	ASSY, FTS LOWER LEFT FOOT SUPPORT S	4.11
CWFTSSA4-321	ASSY, FTS LOWER LEFT FOOT SUPPORT,	4.12
CWFTSSA4-331	ASSY, FTS LOWER LEFT FOOT SUPPORT,	4.13
CWFTSSA4-341	ASSY, FTS LOWER LEFT FOOT SUPPORT,	4.14
CWFTSSA4-351	ASSY, FTS LOWER LEFT FOOT SUPPORT,	4.15
CWFTSSA4-361	ASSY, FTS LOWER LEFT FOOT SUPPORT,	4.16
CWAC218-901	HANDLE END CAP W/SET SCREWS, DIA 1"	5
CWAC220-901	HANDLE END CAP W/SET SCREWS, DIA 3/	6
CWAC1008-101	PULLEY, 3 1/2 DIA. X 1/2 ID	8
CW10043-132	BUSHING, BRONZE, 1/2" ID X 3/4" OD	10
CW12404-101	CAP, GUIDE ROD, DIA 3/4, BLK	11
CW30165-751	ASSY, POP PIN, 0.450 DIA HANDLE, B	12
CWAC1070-101	FT INSTRUCTION PLACARD, 1/4" TEXTUR	12
CW11311-102	ENDCAP, REC TUBE, 2X4, BLK PLASTIC	13
CW11311-103	ENDCAP, REC TUBE, 2X2, BLK PLASTIC	14
CW12402-101	BUMPER, WEIGHT STACK, BLK RUBBER	15
CW12575-101	MOULDED BUMPON, BLACK, 31.75MM SQ (16
CW11382-105	CAP, TUBE, PLASTIC, ROUND, CCF-5/8-	19
CWGR2506-000	GRIP, RUBBER, 3/4" DIA, 6"	22
CWGR2612-000	GRIP, RUBBER, 1" DIA, 12"	23
CWAC1236-102	GUIDE INSERT, PLASTIC WITH HOLE, BL	24
CW30897-101	HANDLE, WEBBING 22.5", D-RING	25
CW12589-741	CARBINE, HOOK, MEDIUM, 5/16" DIA, 3	26
CWAC4009-101	ACCESSORY, STRAP, ANKLE, VELCO	27
CWPF1218-711	GUIDE ROD, DIA 3/4 X (80 3/4), #8, CHM	28
CWPF4020-711	TUBE, STEEL, HRPO, 1 1/2 X 1 1/2 X 3/	29
CWPF1016-731	BAR,, FLAT CR/HR, 3/8 X 2 X 8 1/4, 3	30
CWCLRT321-500	ASSY, CABLE, FTS, 407B	31
CWSA1080-731	ASSY, SWIVEL END BARBELL, BLK ZN	32
CWSA1088R-211	ASSY, A-FRAME, ADJ, RT, SKY WHITE	33.01
CWSA1088R-221	ASSY, A-FRAME, ADJ, RT, BLACK	33.02
CWSA1088R-231	ASSY, A-FRAME, ADJ, RT, RED	33.03
CWSA1088R-241	ASSY, A-FRAME, ADJ, RT, PLAT SPRKLE	33.04
CWSA1088R-251	ASSY, A-FRAME, ADJ, RT, SILVER	33.05
CWSA1088R-261	ASSY, A-FRAME, ADJ, RT, BLUE	33.06
CWSA1088R-271	ASSY, A-FRAME, ADJ, RT, CHARCOAL	33.07
CWSA1088R-281	ASSY, A-FRAME, ADJ, RT, CATH GRAY	33.08
CWSA1088R-291	ASSY, A-FRAME, ADJ, RT, SILVER VIEN	33.09
CWSA1088R-311	ASSY, A-FRAME, ADJ, RT, STONE HG	33.11
CWSA1088R-331	ASSY, A-FRAME, ADJ, RT, WHITE GLOSS	33.13
CWSA1088R-341	ASSY, A-FRAME, ADJ, RT, BLACK ONYX	33.14
CWSA1088R-351	ASSY, A-FRAME, ADJ, RT, LT. BRONZE	33.15
CWSA1088R-361	ASSY, A-FRAME, ADJ, RT, SAPPHIRE BL	33.16
CWSA1088L-211	ASSY, A-FRAME, ADJ, LT, SKY WHITE	34.01
CWSA1088L-221	ASSY, A-FRAME, ADJ, LT, BLACK	34.02
CWSA1088L-231	ASSY, A-FRAME, ADJ, LT, RED	34.03

CWSA1088L-241	ASSY,A-FRAME,ADJ,LT,PLAT SPRKLE	34.04
CWSA1088L-251	ASSY,A-FRAME,ADJ,LT,SILVER	34.05
CWSA1088L-261	ASSY,A-FRAME,ADJ,LT,BLUE	34.06
CWSA1088L-271	ASSY,A-FRAME,ADJ,LT,CHARCOAL	34.07
CWSA1088L-281	ASSY,A-FRAME,ADJ,LT,CATH GRAY	34.08
CWSA1088L-291	ASSY,A-FRAME,ADJ,LT,SILVER VIEN	34.09
CWSA1088L-311	ASSY,A-FRAME,ADJ,LT,STONE HG	34.11
CWSA1088L-321	ASSY,A-FRAME,ADJ,LT,TITANIUM HG	34.12
CWSA1088L-331	ASSY,A-FRAME,ADJ,LT,WHITE GLOSS	34.13
CWSA1088L-341	ASSY,A-FRAME,ADJ,LT,BLACK ONYX	34.14
CWSA1088L-351	ASSY,A-FRAME,ADJ,LT,LT. BRONZE	34.15
CWSA1088L-361	ASSY,A-FRAME,ADJ,LT,SAPPHIRE BL	34.16
CWSA1509-211	ASSY, ADJ. HI-LOW BRACKET, SKY WHIT	35.01
CWSA1509-221	ASSY, ADJ. HI-LOW BRACKET, BLACK	35.02
CWSA1509-231	ASSY, ADJ. HI-LOW BRACKET, RED	35.03
CWSA1509-241	ASSY, ADJ. HI-LOW BRACKET, PLATINUM	35.04
CWSA1509-251	ASSY, ADJ. HI-LOW BRACKET, SILVER	35.05
CWSA1509-261	ASSY, ADJ. HI-LOW BRACKET, BLUE	35.06
CWSA1509-271	ASSY, ADJ. HI-LOW BRACKET, CHARCOAL	35.07
CWSA1509-281	ASSY, ADJ. HI-LOW BRACKET, CATHEDRA	35.08
CWSA1509-291	ASSY, ADJ. HI-LOW BRACKET, SILVER V	35.09
CWSA1509-311	ASSY, ADJ. HI-LOW BRKT, STONE HG	35.11
CWSA1509-321	ASSY, ADJ. HI-LOW BRACKET, TITANIUM	35.12
CWSA1509-331	ASSY, ADJ. HI-LOW BRACKET, WHITE GL	35.13
CWSA1509-341	ASSY, ADJ. HI-LOW BRACKET, BLACK ON	35.14
CWSA1509-351	ASSY, ADJ. HI-LOW BRACKET, LIGHT BR	35.15
CWSA1509-361	ASSY, ADJ. HI-LOW BRACKET, SAPPHIRE	35.16
CWSA2078R-721	ASSY, ADJ. HI-LOW PULLEY SLIDE, RIG	36
CWSA2078L-721	ASSY, ADJ. HI-LOW PULLEY SLIDE, LEF	37
CWSA2079-721	ASSY, HI-LO DOUBLE PULLEY BRACKET,	38
CWHCYN050-100	SCREW,HEX HEAD,BLK XYLAN,1/2-13 X 1	39
CWHCCN050-600	SCREW, HEX HEAD, ZINC, 1/2-13 X 6	40
CWKDYN050-059	LOCKNUT, NYLON INSERT, FULL, UNC, 1	41
CWKADLN050-081	NUT, ACORN, 1/2-13	42
CW12537-109	NUT,INSERT,THIN-NUT,LARGE FLANGE	43
CWTAYN031-150	SCREW, BUTTON HEAD, BLK XYLAN,5/16	44
CWCAYN025-050	SCREW, SOCKET HEAD, BLK XYLAN	45
CWBFNN050-250	STUD, 1/2-13 X 2 1/2	46
CWWBKN031-007	WASHER, FLAT, TYPE A, SAE, 5/16 ID	47
CWWBKN050-010	WASHER, FLAT, TYPE A, SAE, 1/2 ID X	48
CWWALYN031-008	WASHER, SPLIT, 5/16 ID, BL	49
CWWALYN050-013	WASHER, SPLIT, 1/2 ID, BLK XYLAN	50
CWHCCN050-650	SCREW, HEX HEAD, ZINC, 1/2-13 X 6 1	51
CW30010-101	LABEL,WARNING STRENGTH	52
CW31756-101	LABEL, PRECOR USA ICARIAN LINE	55
CW30126-101	LABEL,VINYL, PRECOR, 3.25 X 18.0	56
CWGR2636-000	GRIP,RUBBER, 1" DIA, 36"	57
CWMAJYN050-150	SCREW, FLAT HEAD, SOCKET,BLK XYLAN	58
CW10505-721	ASSY, PLATE, WEIGHT, 05 LBS, WRKL B	200
CW10510-721	ASSY, PLATE, WEIGHT, 10 LBS, WRKL B	201
CWAC1133-101	BUSHING, WEIGHT PLATE, LDPE PLASTIC	203

CW30172-751	ASSY, 4.00 IN WEIGHT STACK PIN AND	227
CWLDNN038-200	PIN, ROLL, DIA 3/8 X 2	250
CW30184-901	ASSY,BARREL, TOP PLATE,ALUMINUM	251
CW30385-721	WELDMENT, WEIGHT, TOP, STP-T, PF233	260
CW30132-712	SELECTOR STEM, 20 PLATE,0 .875 DIA,	309
CWAC1185-101	LABL,KEEP HND&FT CLR(CEMCO)3/8X6.75	312
CW12401-101	LABEL, WEIGHT PLATE, 7.5 LBS/ 3.5 K	314
CW12401-102	LABEL, WEIGHT PLATE, 10 LBS/ 4.6 KG	315
CW12401-103	LABEL, WEIGHT PLATE, 12.5 LBS/ 5.7	316
CW12401-104	LABEL, WEIGHT PLATE, 15 LBS/ 6.8 KG	317
CW12401-105	LABEL, WEIGHT PLATE, 17.5 LBS/ 8 KG	318
CW12401-106	LABEL, WEIGHT PLATE, 20 LBS/ 8 KG	319
CW12401-107	LABEL, WEIGHT PLATE, 22.5 LBS/ 10.2	320
CW12401-108	LABEL, WEIGHT PLATE, 25 LBS/ 11.4 K	321
CW12401-110	LABEL, WEIGHT PLATE, 30 LBS/ 13.6 K	323
CW12401-112	LABEL, WEIGHT PLATE, 35 LBS/ 15.9 K	325
CW12401-114	LABEL, WEIGHT PLATE, 40 LBS/ 18.2 K	327
CW12401-116	LABEL, WEIGHT PLATE, 45 LBS/ 20.5 K	329
CW12401-118	LABEL, WEIGHT PLATE, 50 LBS/ 22.7 K	331
CW12401-119	LABEL, WEIGHT PLATE, 55 LBS/ 25 KG	332
CW12401-120	LABEL, WEIGHT PLATE, 60 LBS/ 27.3 K	333
CW12401-121	LABEL, WEIGHT PLATE, 65 LBS/ 29.5 K	334
CW12401-122	LABEL, WEIGHT PLATE, 70 LBS/ 31.8 K	335
CW12401-123	LABEL, WEIGHT PLATE, 75 LBS/ 34.1 K	336
CW12401-124	LABEL, WEIGHT PLATE, 80 LBS/ 36.4 K	337
CW12401-125	LABEL, WEIGHT PLATE, 85 LBS/ 38.6 K	338
CW12401-126	LABEL, WEIGHT PLATE, 90 LBS/ 40.9 K	339
CW12401-127	LABEL, WEIGHT PLATE, 95 LBS/ 43.2 K	340
CWPF3143-211	SHROUD,SHEET,STEEL,3/32 THICK,4 BEN	404.01
CWPF3143-221	SHROUD,SHEET,STEEL,3/32 THICK,4 BEN	404.02
CWPF3143-231	SHROUD,SHEET,STEEL,3/32 THICK,4 BEN	404.03
CWPF3143-241	SHROUD,SHEET,STEEL,3/32 THICK,4 BEN	404.04
CWPF3143-251	SHROUD,SHEET,STEEL,3/32 THICK,4 BEN	404.05
CWPF3143-261	SHROUD,SHEET,STEEL,3/32 THICK,4 BEN	404.06
CWPF3143-271	SHROUD,SHEET,STEEL,3/32 THICK,4 BEN	404.07
CWPF3143-281	SHROUD,SHEET,STEEL,3/32 THICK,4 BEN	404.08
CWPF3143-291	SHROUD,SHEET,STEEL,3/32 THICK,4 BEN	404.09
CWPF3143-321	SHROUD,SHEET,STEEL,3/32 THICK,4 BEN	404.12
CWPF3143-331	SHROUD,SHEET,STEEL,3/32 THICK,4 BEN	404.13
CWPF3143-341	SHROUD,SHEET,STEEL,3/32 THICK,4 BEN	404.14
CWPF3143-351	SHROUD,SHEET,STEEL,3/32 THICK,4 BEN	404.15
CWPF3143-361	SHROUD,SHEET,STEEL,3/32 THICK,4 BEN	404.16
CWPF3143-711	SHROUD,SHEET,STEEL,3/32 THICK,4 BEN	404.17
CWAC1177-101	FLOOR PROTECTOR, RUBBER, 4.563 X 4.	501
CWAC1178-101	FLOOR PROTECTOR, RUBBER, 2.563 X 6.	502
CWAC1179-101	FLOOR PROTECTOR, RUBBER, 4.813 X 2.	503
CW32031-101	LITERATURE KIT, FTS	999